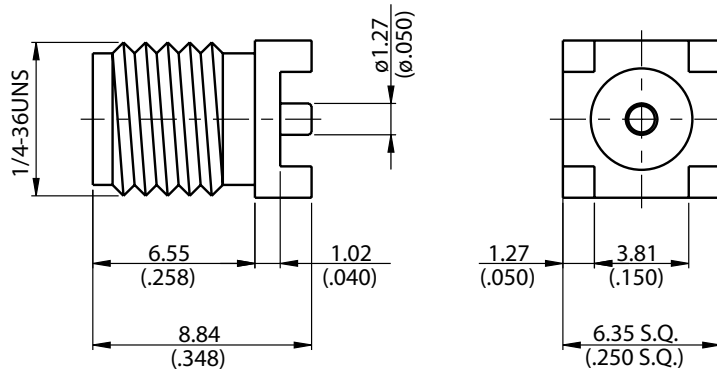
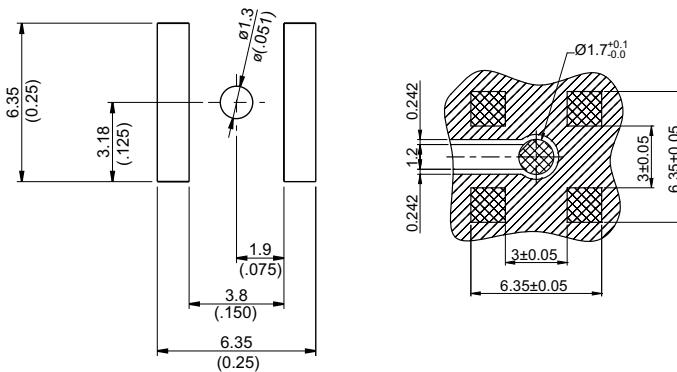


SMA8400S-0000

SMA Jack P.C.B Surface Mount 50Ω



**MOUNTING HOLE**



Pattern and signal are on the same side  
Thickness of PCB: 1.6mm  
The material of PCB: Er=4.8

Parts	Material	Plating (Micro-inch)
Contact Pin	Beryllium Copper	Gold 20 Over Nickel 50 Over Copper 50
Insulator	Teflon	
Body	Brass	Gold 5 Over Nickel 50 Over Copper 50

Weight: 1.02 g

This part number complies with RoHS.

Notice: JYEBAO reserves the right to make modifications deemed appropriate.